

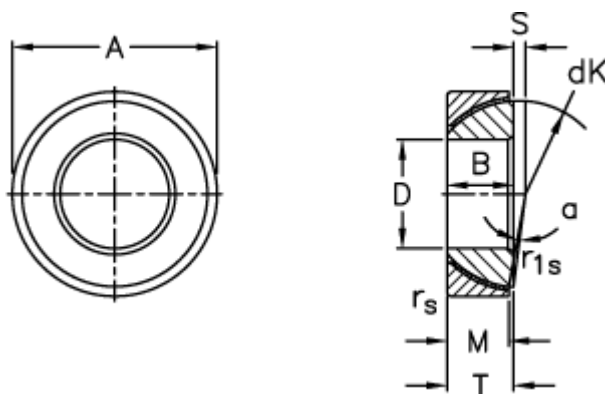
Data Sheet



Article number: 03510028

Description: Fluro Rod end GE 28SW

Measures



| | | | |
|---------------------|---------------|---------------------|------------------|
| A | = 52 0 -0,016 | Static load C0 (kN) | = 230 |
| B | = 15 | T | = 16 +0,25 -0,40 |
| D | = 28 0 -0,012 | Tilt angle | = 2 |
| dK | = 47 | Weight | = 186 |
| Dynamic load C (kN) | = 115 | | |
| M | = 15 | | |
| rs, r1s min | = 1 | | |
| S | = 1 | | |